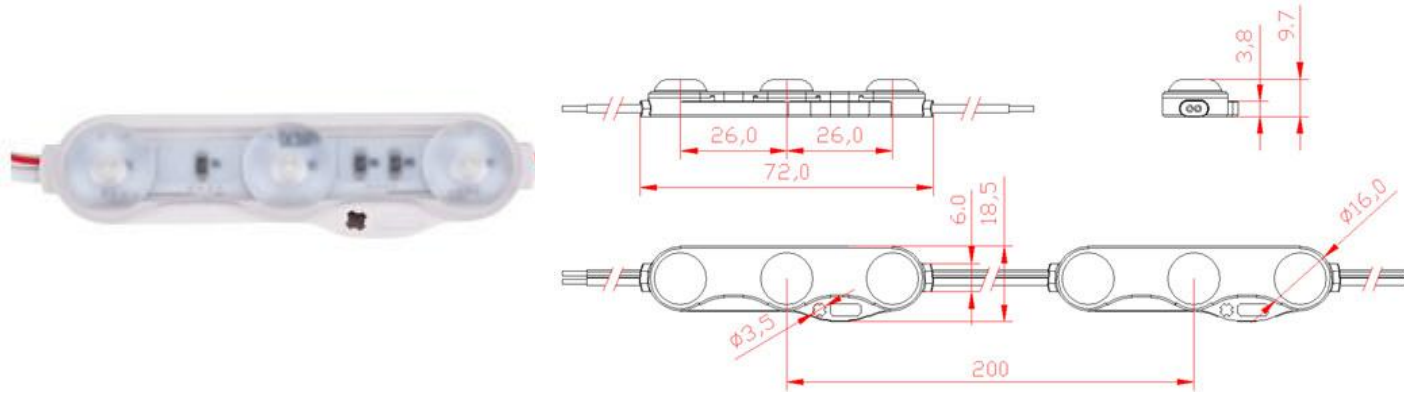


**High Power 3LED 2835 Inject led module with Lens**

**Picture:**



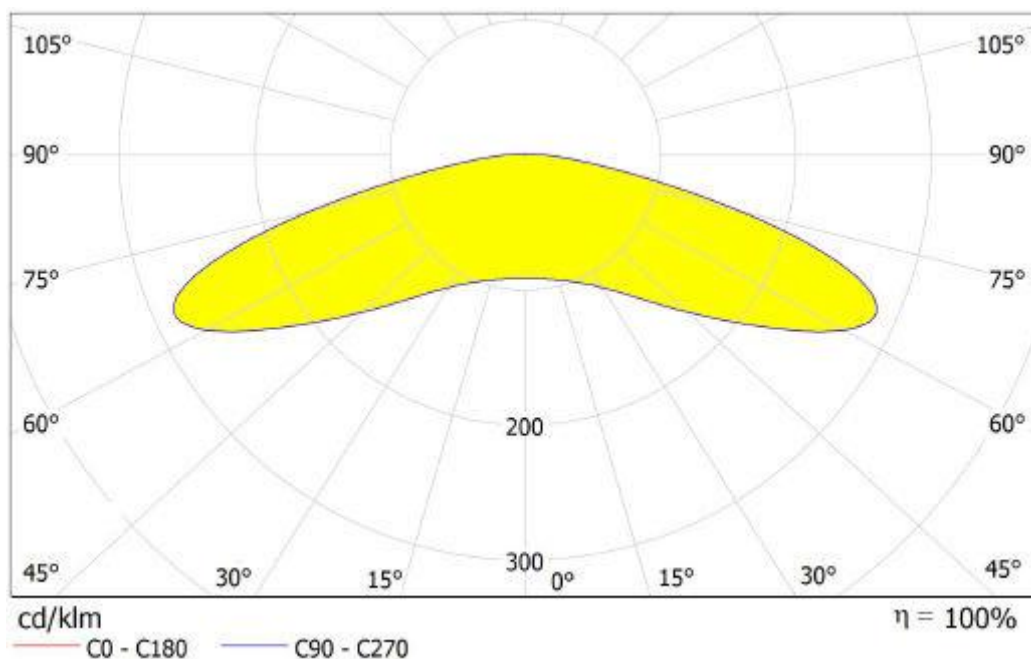
**Specification:**

Part No.	MHS-3W28
Voltage (V)	DC12V
Power (W/pc)	1.5 W
Available Color	Warm White/ White/ Cool White
Lumen/pc	145 LM
Color Temperature Wave length (k/nm)	2700-9000k
LED Type	2835 SMD LED
LED Qty	3 led/pc
Chip Brand	Epistar
Viewing angle	160 degree
Shell	Fire proof ABS+Optical Lens
Driving Method	Constant Voltage Drive
Standard QTY per Chain(pcs)	20 pcs
Working Temperature	-25°C-60°C
Dimension	68*18.5*9.2 mm
IP Rate	IP 67
Span life	50,000h
Certification	CE&ROHS
Warranty	5 Years

## Feature:

1. High Efficiency 2835 LED, 145 lumen/module, Long Life, Low encapsulation
2. 160° Bat-Wing Optics Design
3. High Color uniform (MacAdam 4)
4. Injection mold process, Waterproof rate: IP67
5. CE&ROHS certification, 5 years Warranty
6. Strong 3M VHB tape adhesive, faster installation

## Light Distribution curve



## Application

1. Best for the 120-250mm depth channel letter and lighting box.
2. Medium-big size Illuminate signage
3. LED Glow Sign